

# STRIUM CAPITAN



## Strium C

### Steel Bicycle Stand

Complies with the French decree of 18 September 2012 on technical requirements for accessibility of roads and public spaces.

#### Material :

Painted galvanized steel body.

#### Options :

Brushed stainless steel version.  
Version with EV power supply.

#### Finishing :

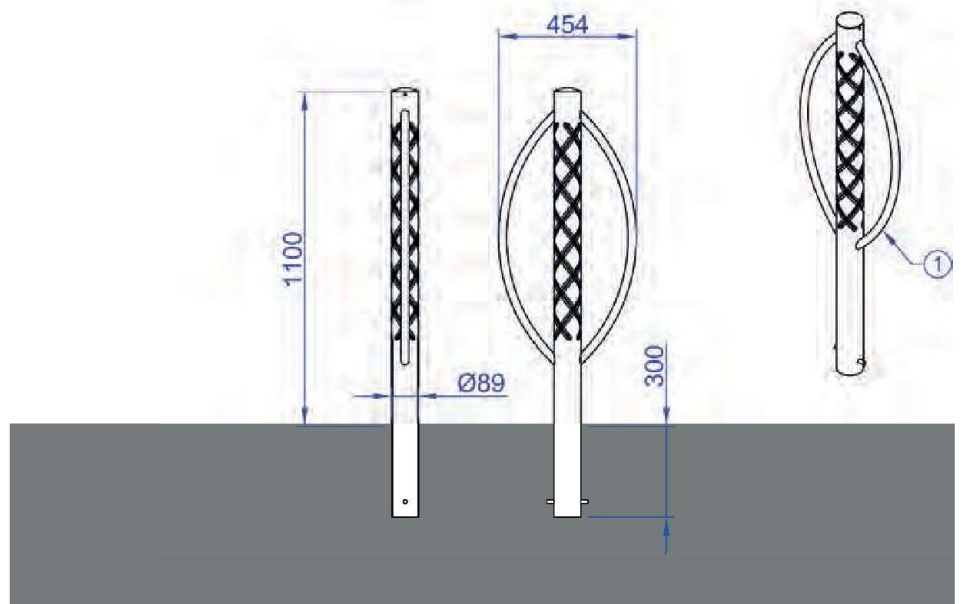
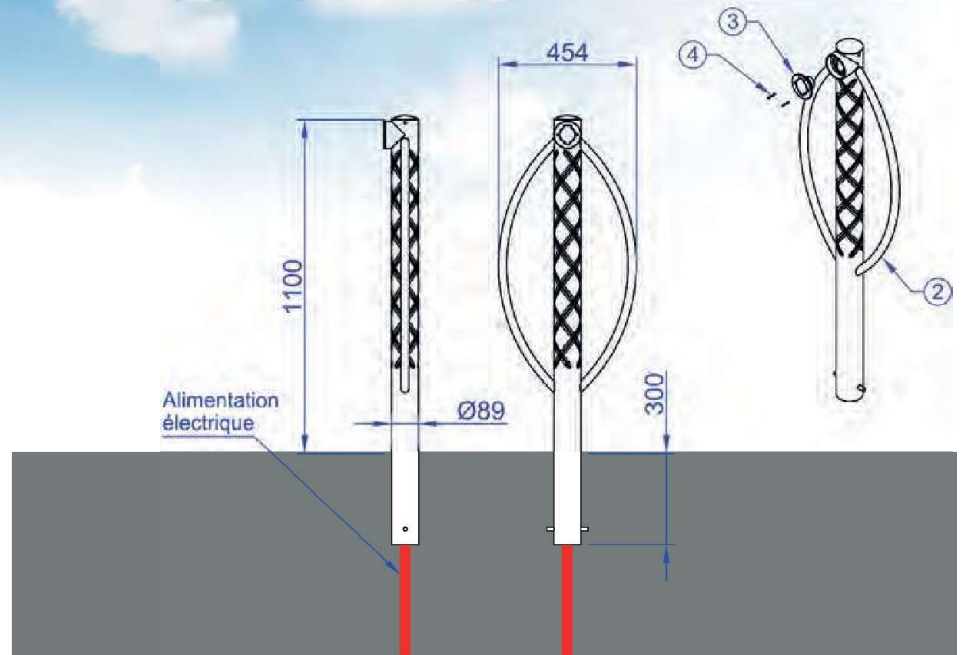
Polyester powder coating, RAL Ghm.

#### Weight :

12,8 kg (standard version).  
13,7 kg (EV socket version).

#### Delivery :

Delivered assembled



4 2 M3x30 stainless steel FHC screws

3 Power socket

2 Strium Capitan bicycle stand body with galvanised steel socket

1 Strium Capitan bicycle stand body in galvanised steel (12.8 kg)