

## KEO



## Keo Chair

Chair in cast iron and aluminum.  
Design M. Tortel

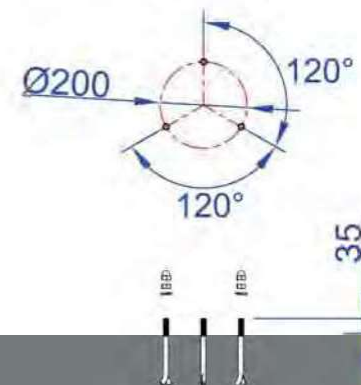
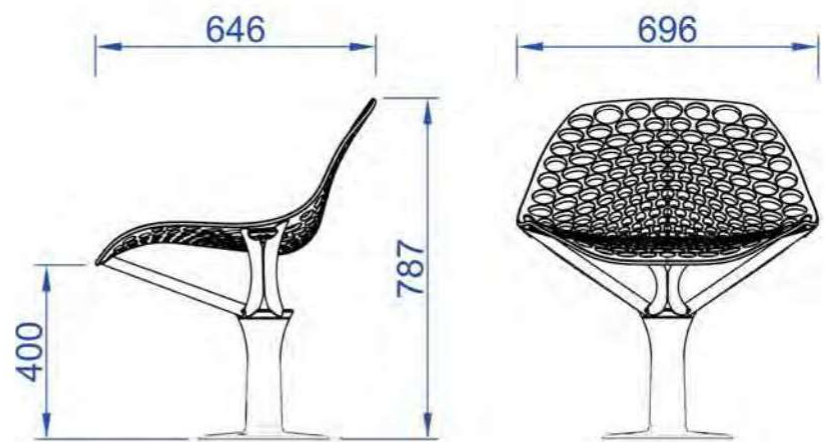
Complies with the French decree of 18 September 2012 on technical requirements for accessibility of roads and public spaces.

**Material:**  
Painted metallic cast iron  
foot, seat in painted cast  
aluminum.

**Finishing:**  
Polyester powder coating, RALGhm.

**Weight:**  
30 kg

**Delivery:**  
Delivered as a kit.  
(Delivered assembled possible as an option).



- 11 KEO aluminum shell (mass : 8,1kg)
- 10 6x stainless steel Grower M8 washers
- 9 6x TRHc M8 stainless steel screws
- 8 6x stainless steel grower M8 washers
- 7 6x TRHc M6 stainless steel screws
- 6 ENGJS cast iron support arm (mass: 11,3kg)
- 5 ENGJS cast iron foot (weight: 10kg)
- 4 3x blind nuts M12 stainless steel
- 3 3x nuts M12 stainless steel
- 2 3x slats washers in stainless steel
- 1 3x seals M12x150