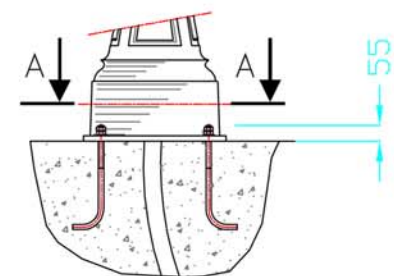


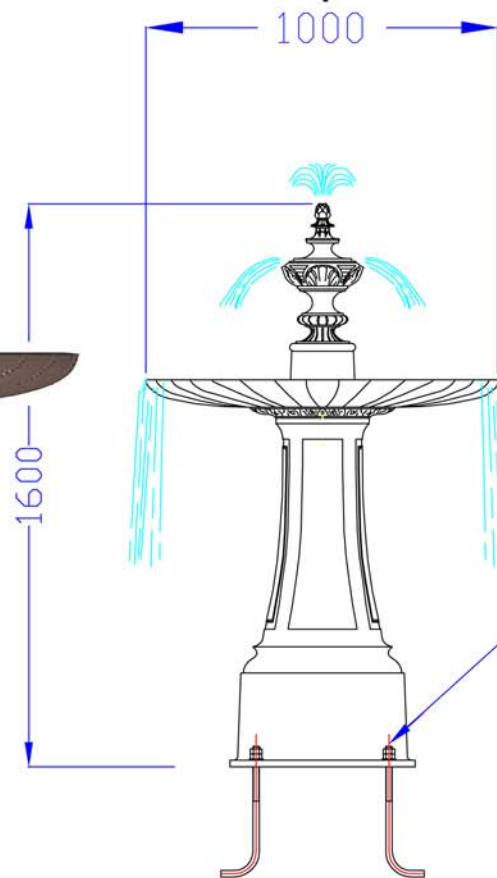
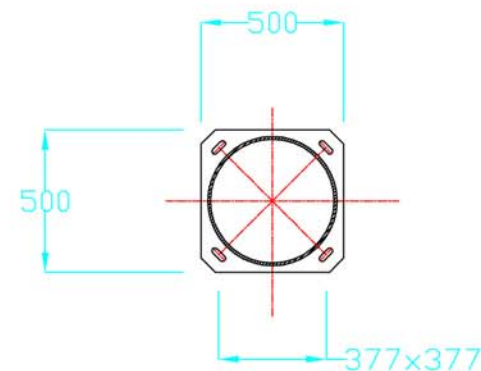
Montier en Der n10 Fountain

Cast iron fountain
Fountain cap 3.5m

- Option 1: With water parts on request
- Option 2: With peripheral water jets
- Option 3: Illuminated by fiber optics on request



4 Foundation bolts $\varnothing 18 \times 370$



montier-en-der

fountains