



Estampille Post

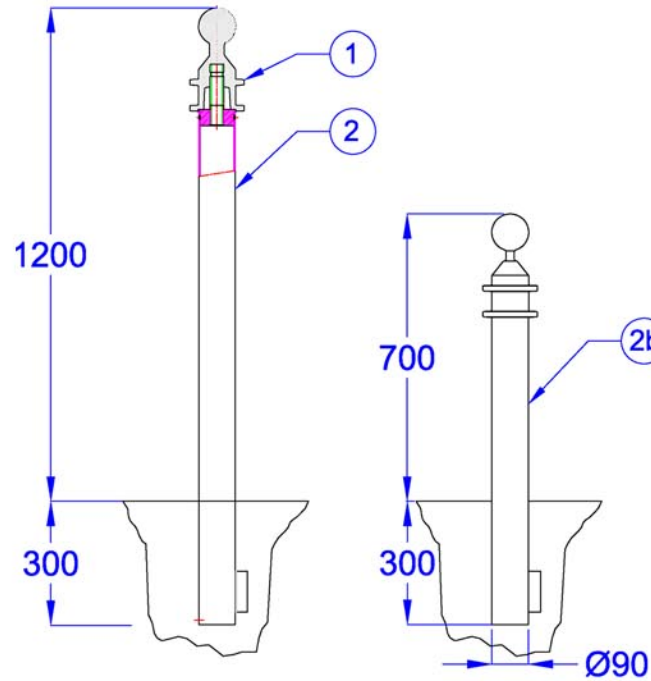
Aluminium and steel post

estampille

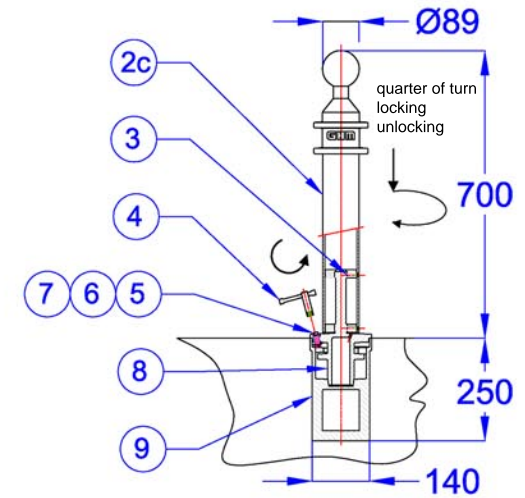
By R. Dufour



fixed posts



removable post with mechanical fuse



Item	Nb	Description
1	1	Decorative part
2	1	Ht 1200 body for fixed post
2b	1	Ht 700 body for fixed post
2c	1	Ht 700 body for removable post
3	2	Screw
4	1	Spécific tool
5, 6 and 7	1	Screw , washer, Pin
8	1	Mechanical fuse
9	1	Ground sleeve (Ground sleeve mask in option)

bollards and posts