

CEANO

Céano-B post

Steel post.

Complies with the French decree of 18 September 2012 on technical requirements for accessibility of roads and public spaces.

Material:

Galvanized steel body and aluminum top ball. Fuse, pot and pot cover are made of metallized cast iron

Option:

- White head.
- Removable-fuse post version.
- Elastic post version.

Finishing:

Polyester powder coating, RAL Ghm.

Weight:

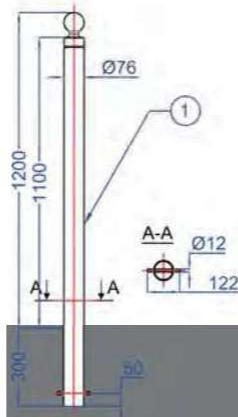
- 9 kg (fix version)
- 17.7 kg (removable-fuse version)
- 17.7 kg (elastic version)

Delivery:

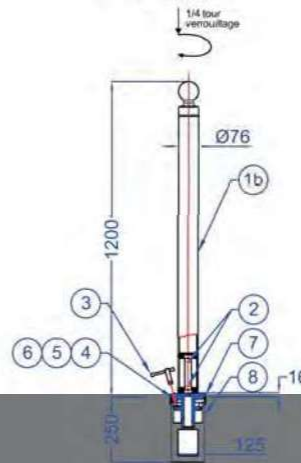
Delivered assembled.



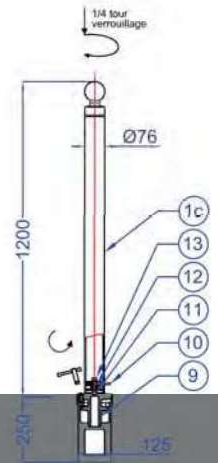
Potelet fixe



Potelet (amovible) fusible



Potelet élastique



- 13 Stainless steel CHc M10x60 screw
- 12 Elastic component
- 11 Stainless steel Ø16-Ø10,5 thickness 10mm washer
- 10 Stainless steel Hc M8x20 screw
- 9 ENGJS cast iron pot cover (3.5 kg)
- 8 ENGJS cast iron pot (6 kg)
- 7 ENGJS cast iron fuse (3.5 kg)
- 6 Stainless steel slot pin Ø2x20
- 5 Stainless steel washer M10-N
- 4 M10x28 Triangular head screw
- 3 Standard key for triangle of 10
- 2 2x Stainless steel screw Hc M8x25
- 1a Fix body ht 1200 + ball
- 1b Removable-fuse body ht 1200 + ball
- 1c Elastic body ht 1200 + ball

Céano-BR post

Steel post.

Complies with the French decree of 18 September 2012 on technical requirements for accessibility of roads and public spaces.

Material:

Galvanized steel body.
Fuse, pot and pot cover made of metallized cast iron

Option:

- White head
- Removable-fuse post version.
- Elastic post version.

Finishing:

Polyester powder coating, RAL Ghm.

Weight:

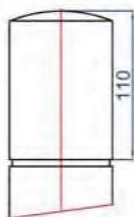
- 8 kg (fix version)
- 16.7 kg (removable-fuse version)
- 16.7 kg (elastic version)

Delivery:

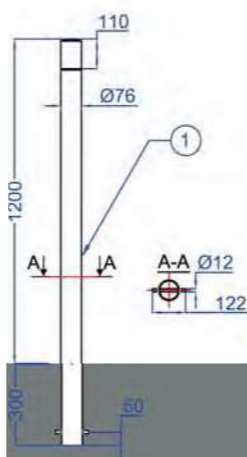
Delivered assembled.



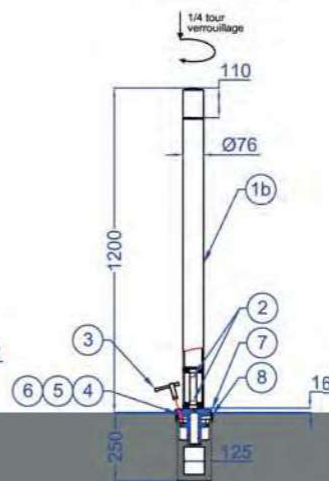
Détail tête



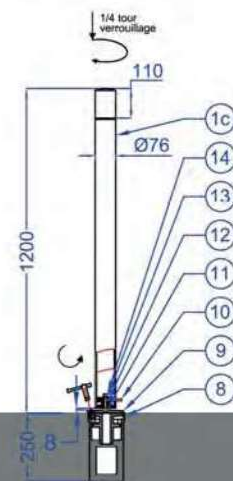
Potelet fixe



Potelet (amovible) fusible



Potelet élastique



- 14 Stainless steel CHc M10x60 screw
- 13 Stainless Steel Washer
- 12 Elastic component
- 11 Stainless steel Ø16-Ø10,5 thickness 10 mm washer
- 10 Stainless steel Hc M8x20 screw
- 9 ENGJS cast iron pot cover (3.5 kg)
- 8 ENGJS cast iron sealing pot (6 kg)
- 7 ENGJS cast iron fuse (3.5 kg)
- 6 Stainless steel slot pin Ø2x20
- 5 Stainless steel washer M10-N
- 4 M10x28 Triangular head screw
- 3 Standard key for triangle of 10
- 2 2x Stainless steel screw Hc M8x25
- 1a Fix body ht 1200
- 1b Removable-fuse body ht 1200
- 1c Elastic body ht 1200