

CEANO STRIUM CAPITAN



Bollard Ceano Strium Capitan

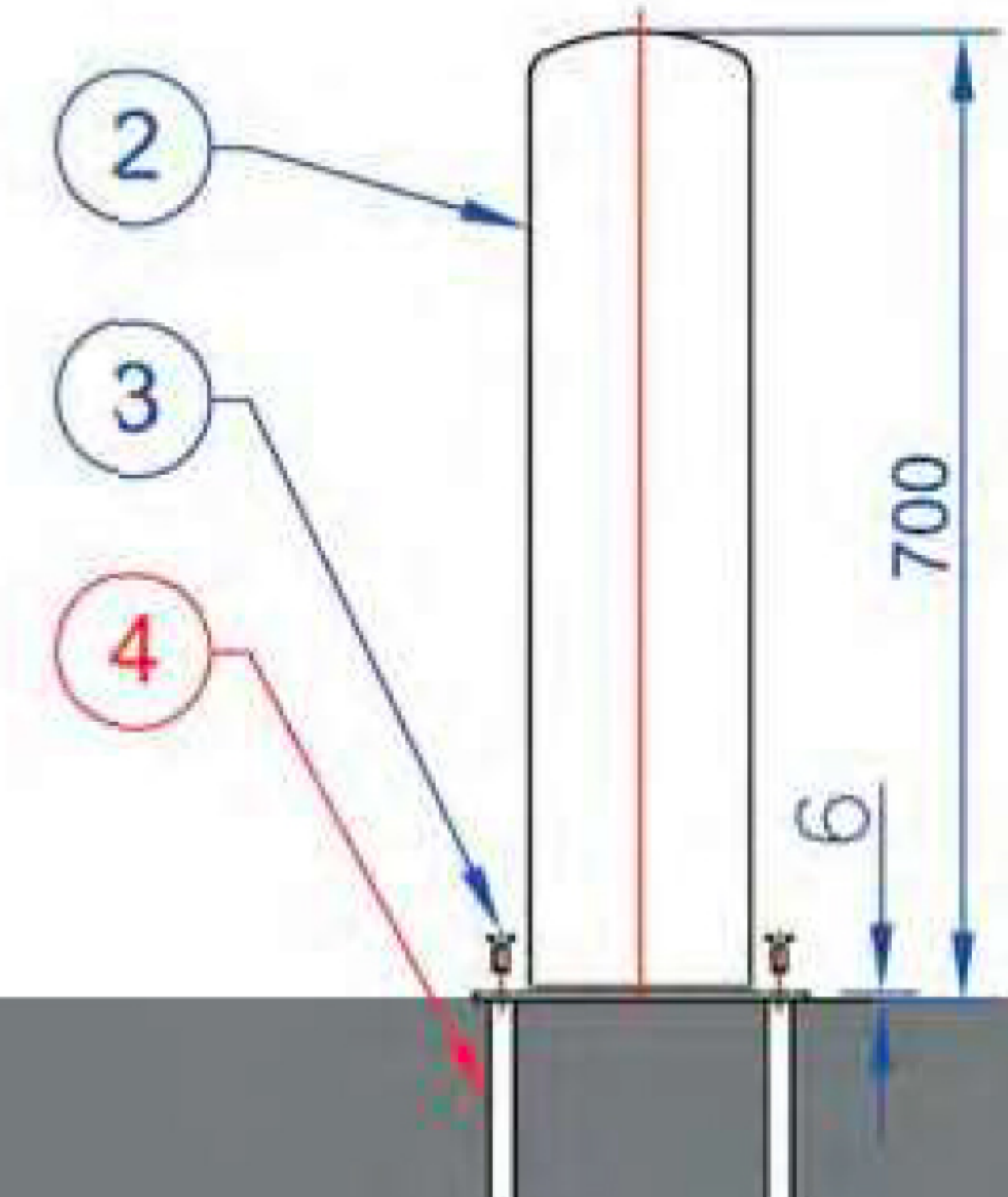
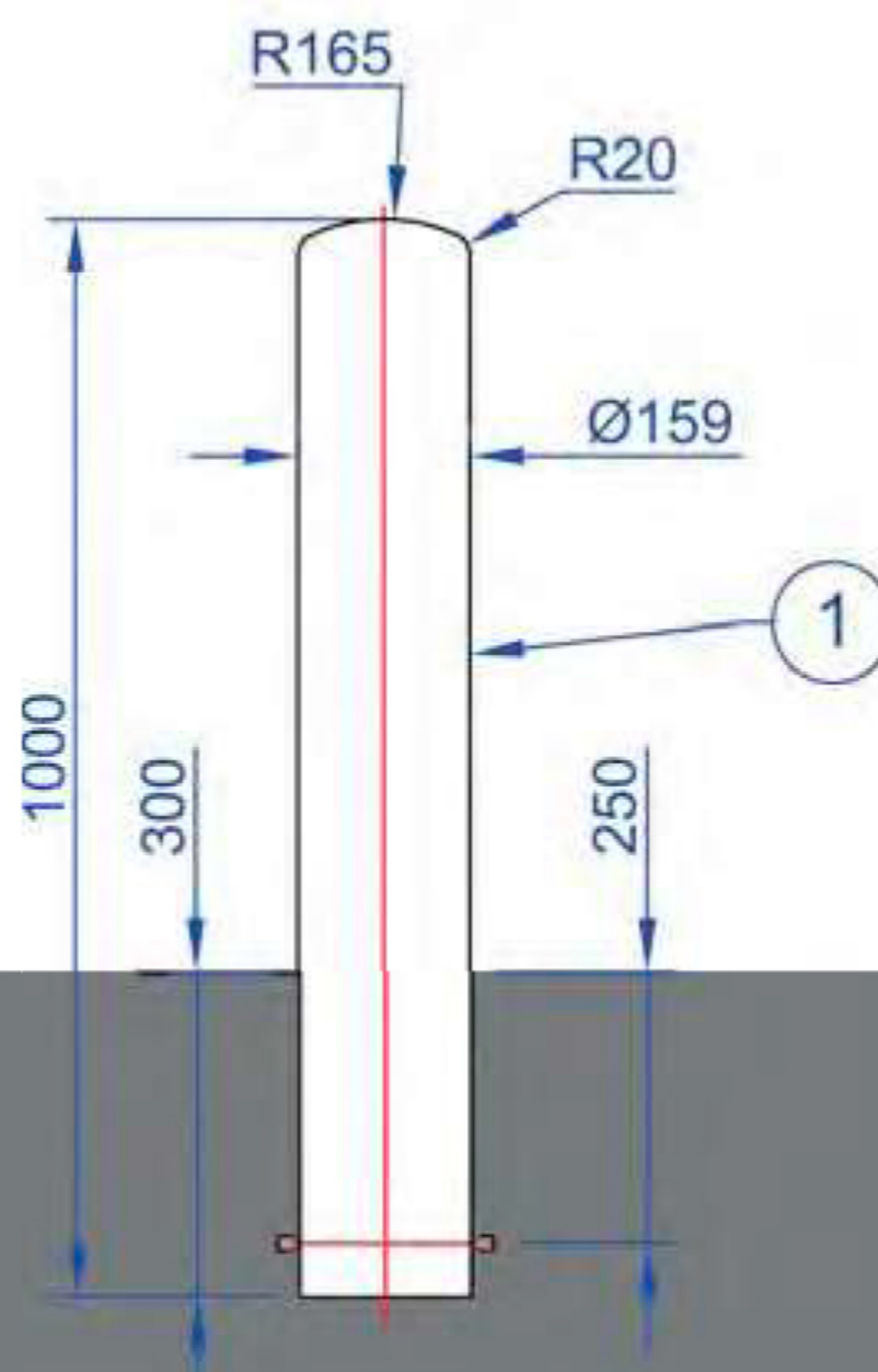
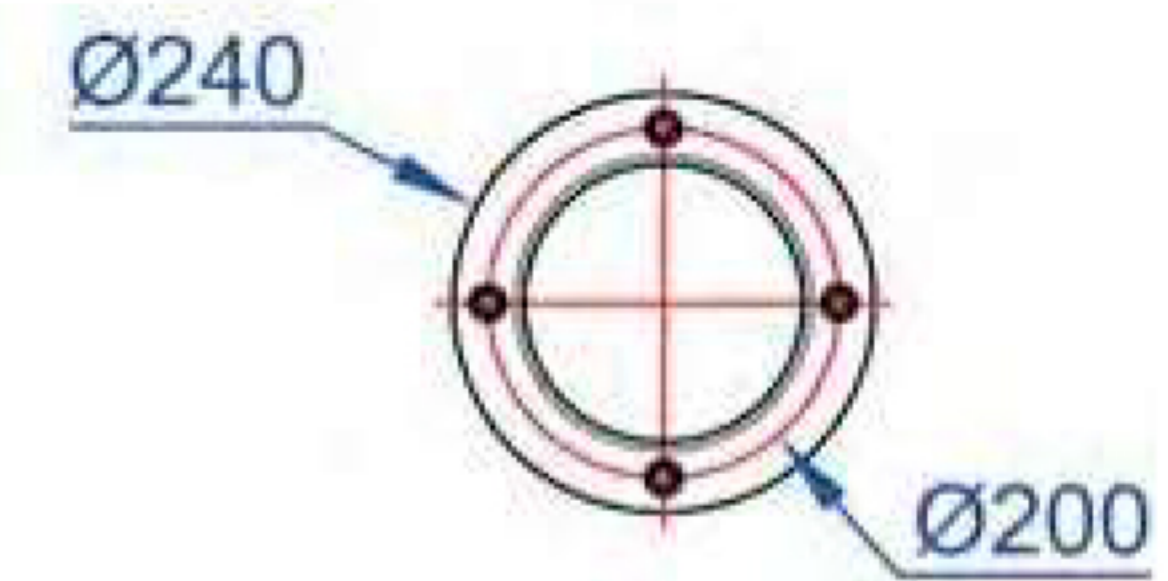
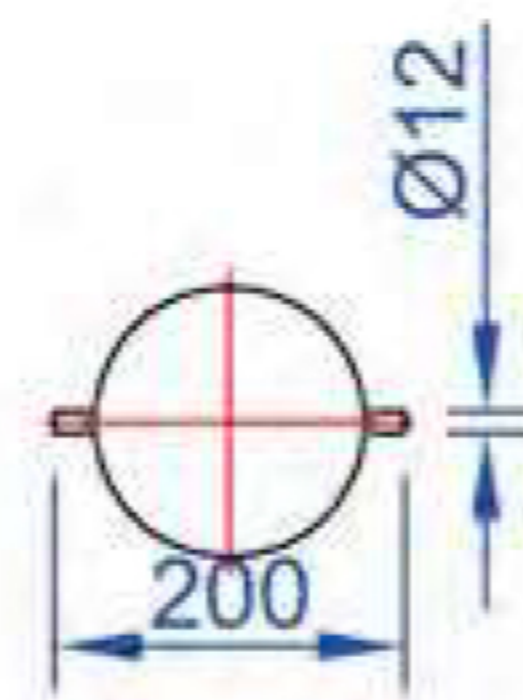
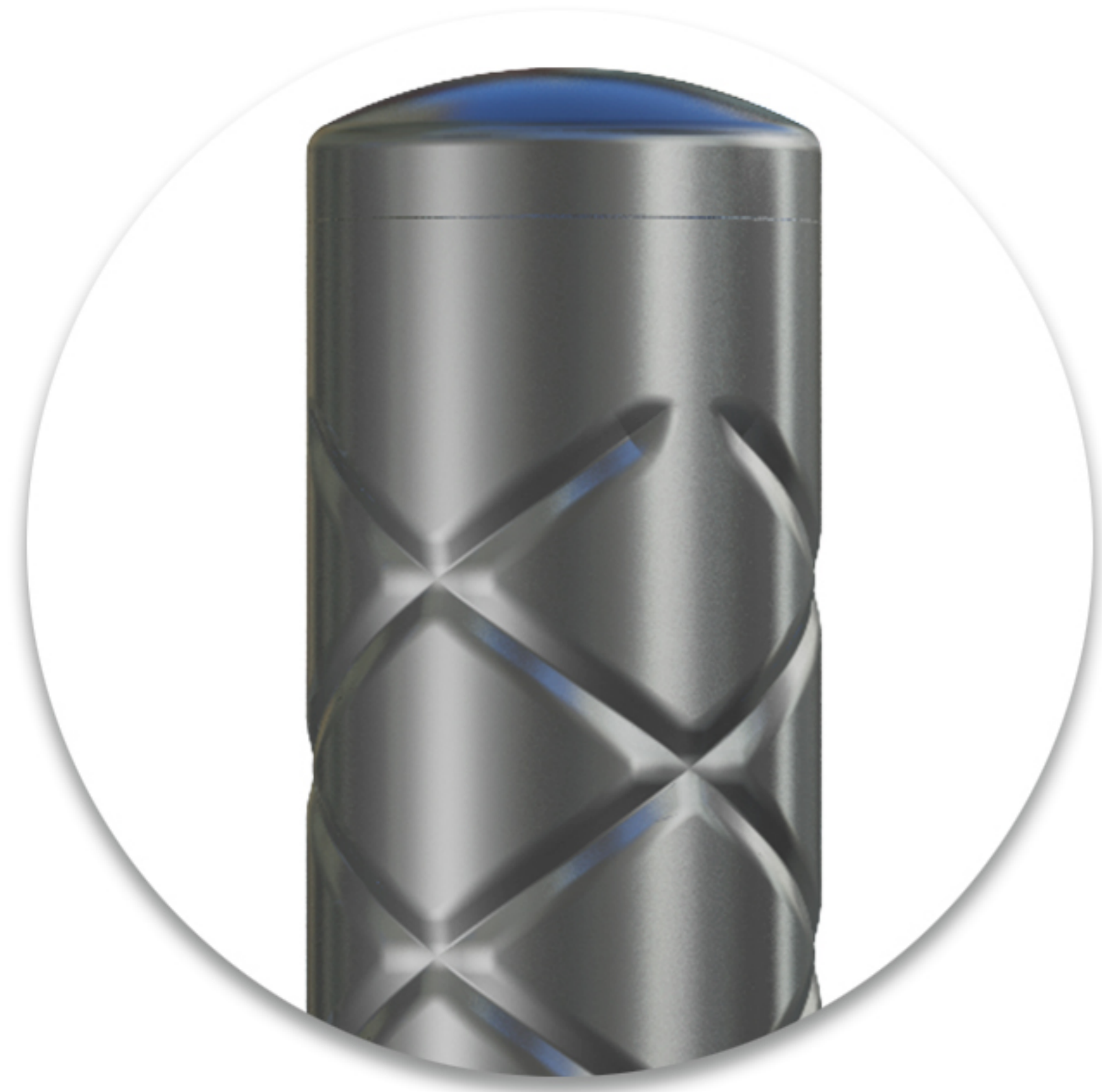
Suggested application:
Dedicated to urban realm.

Material:
Steel, electro-galvanised and painted.

Finish:
Polyester powder coating (choice of Ghm RAL colors).

Weight:
12 kg (version "rooted").
10 kg (version "finished ground").

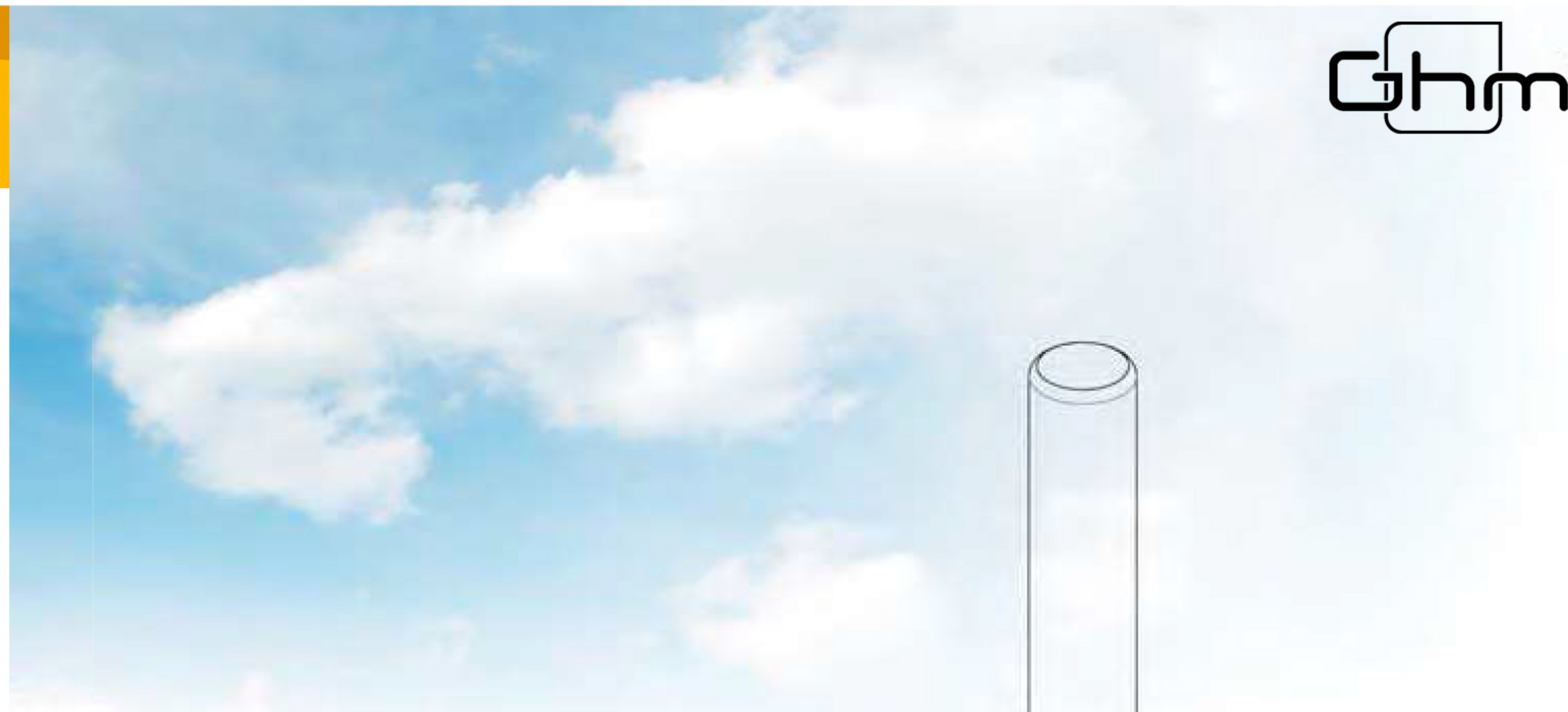
Delivery:
Monobloc bollard.



- 4** Threaded chemicals dowels (not supplied)
- 3** 4 screws FHc M12x25 in stainless steel
- 2** Bollard body "finished ground" (10 kg)
- 1** Bollard body "rooted" (12 kg)



CEANO STRIUM HELIX



Bollard Ceano Strium Helix

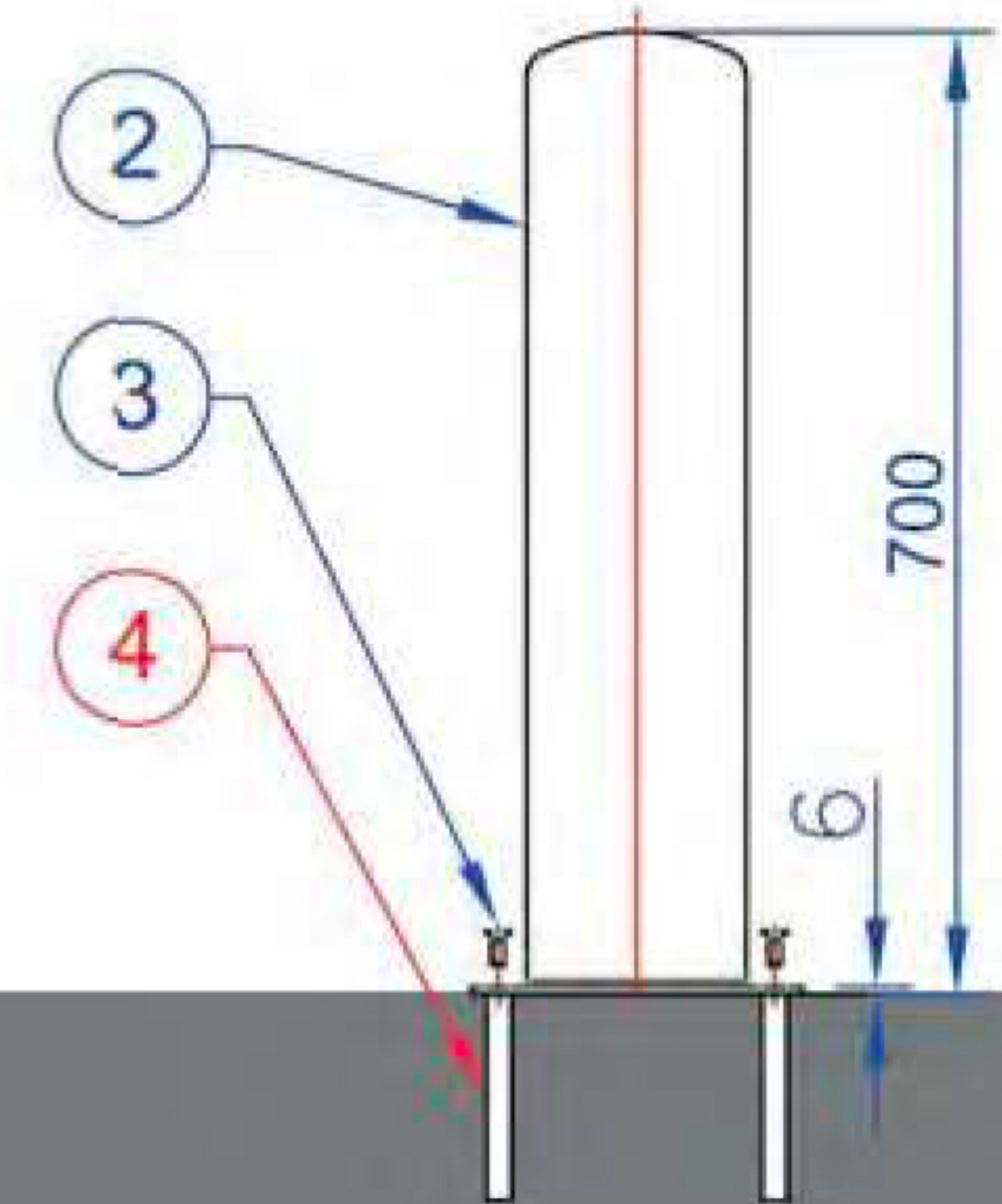
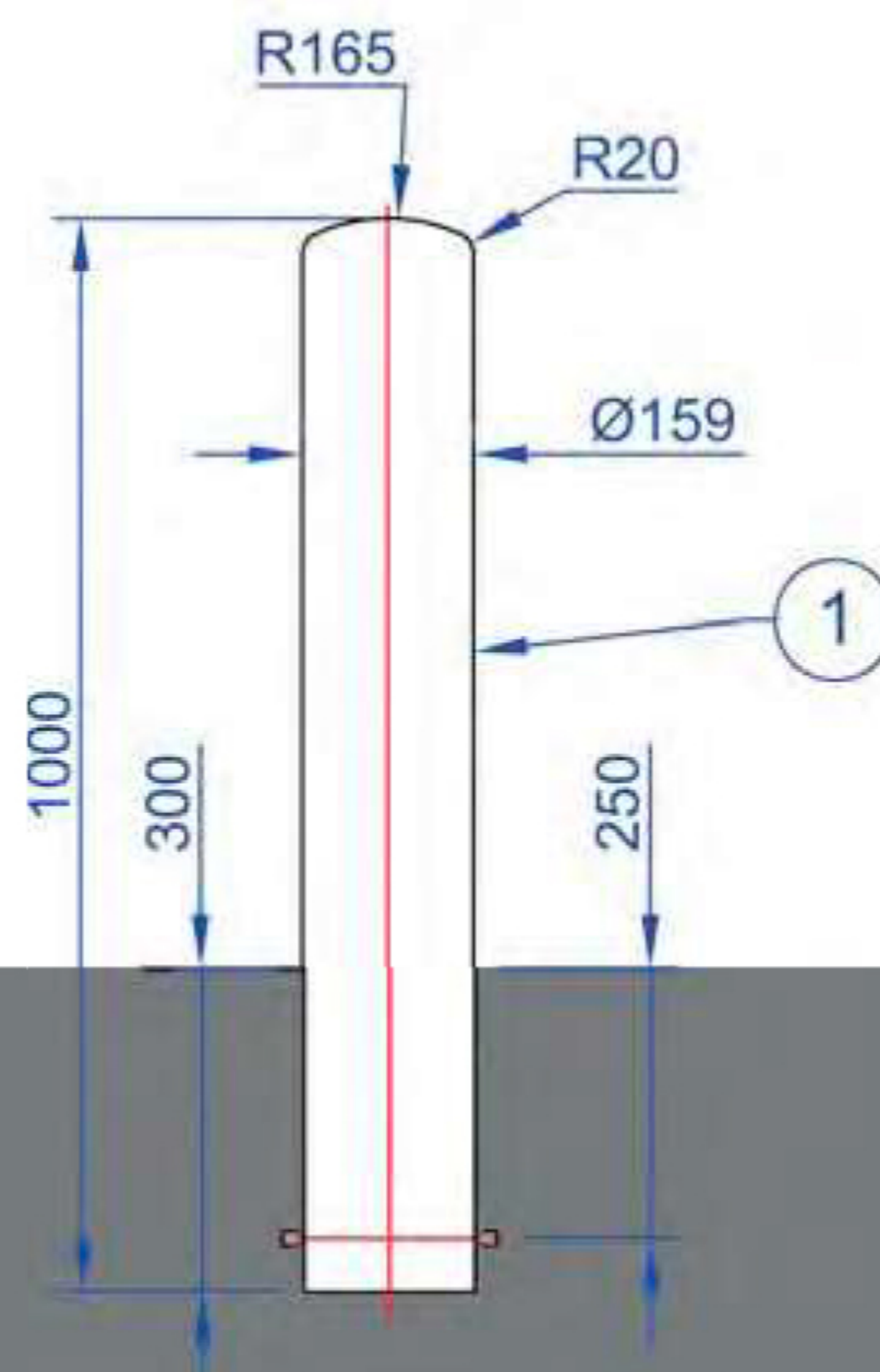
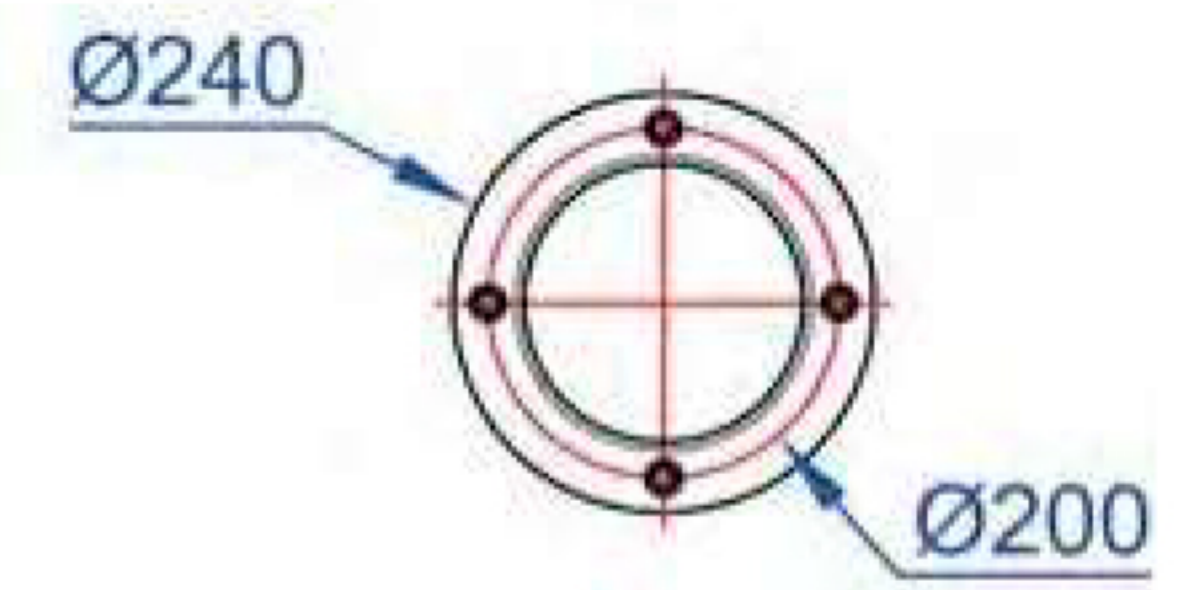
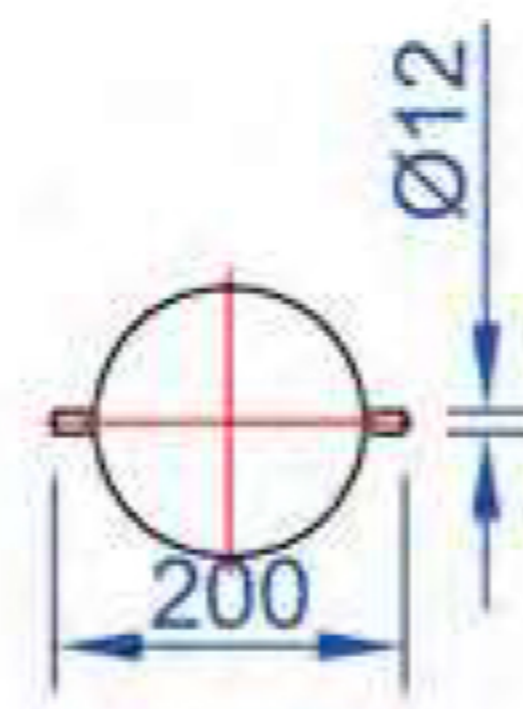
Suggested application:
Dedicated to urban realm.

Material:
Steel, electro-galvanised and painted.

Finish:
Polyester powder coating (choice of Ghm RAL colors).

Weight:
12 kg (version "rooted").
10 kg (version "finished ground").

Delivery:
Monobloc bollard.



- 4** Threaded chemicals dowels (not supplied)
- 3** 4 screws FHc M12x25 in stainless steel
- 2** Bollard body "finished ground" (10 kg)
- 1** Bollard body "rooted" (12 kg)



CEANO STRIUM TRAIID



Bollard Ceano Strium Traiid

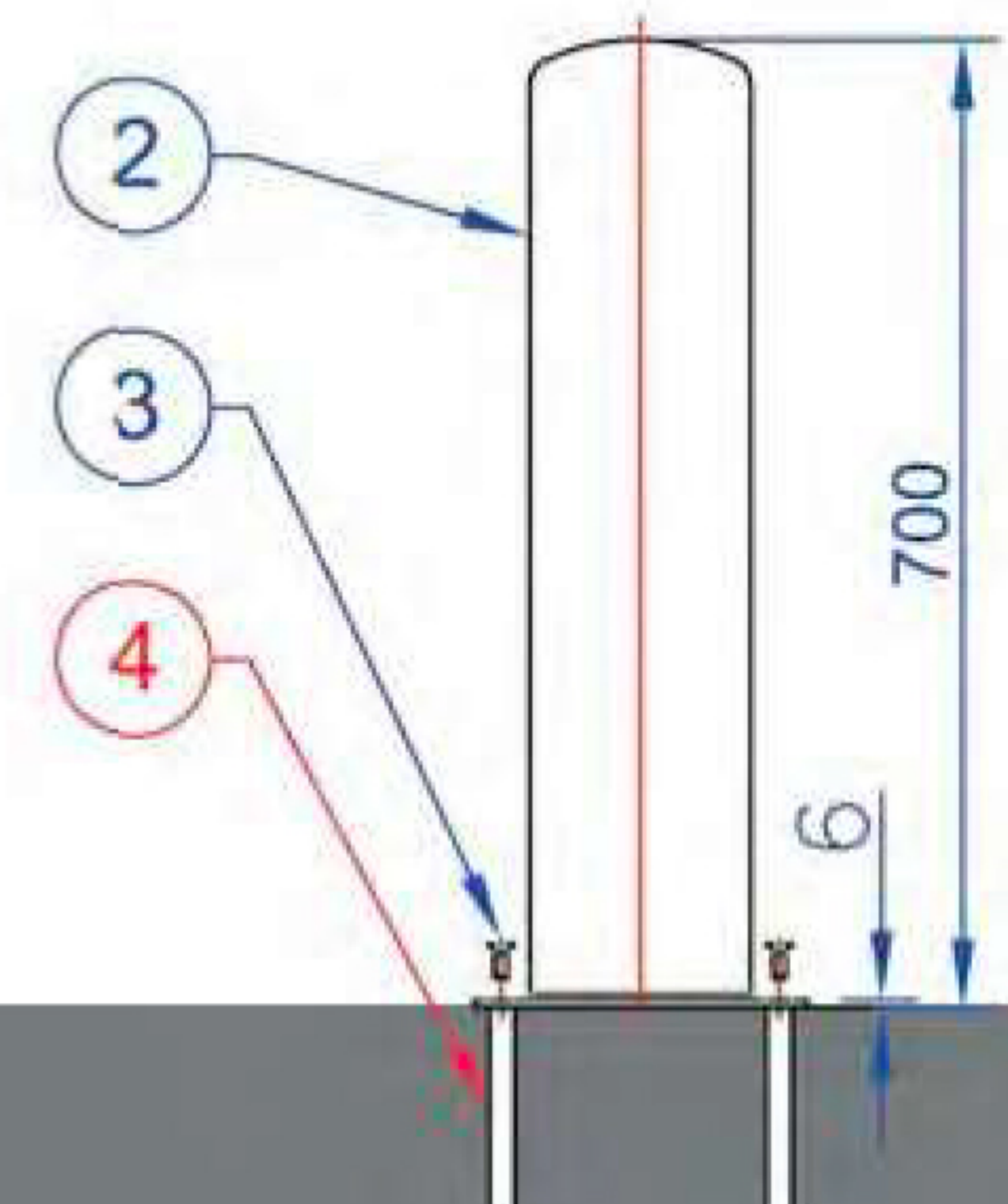
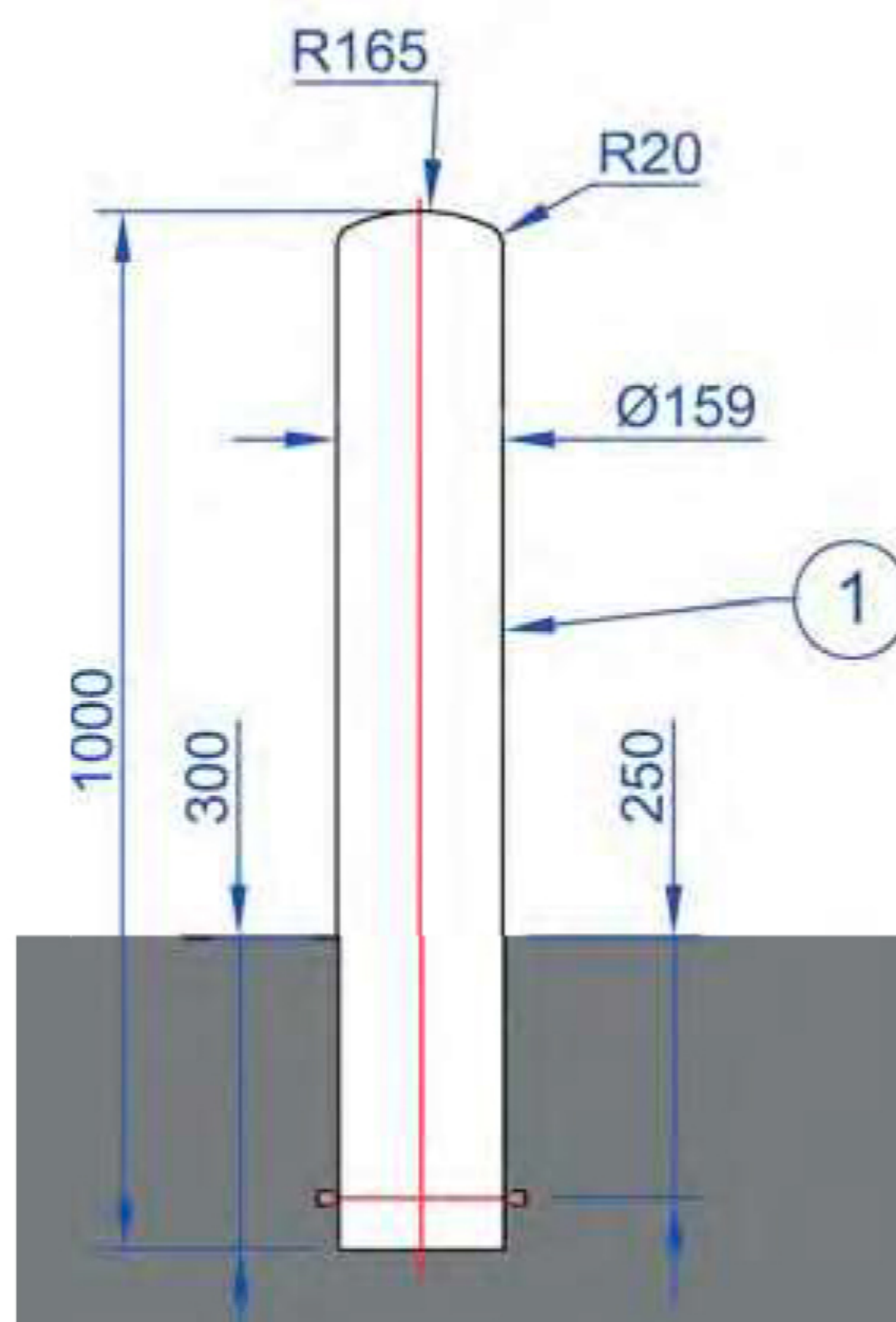
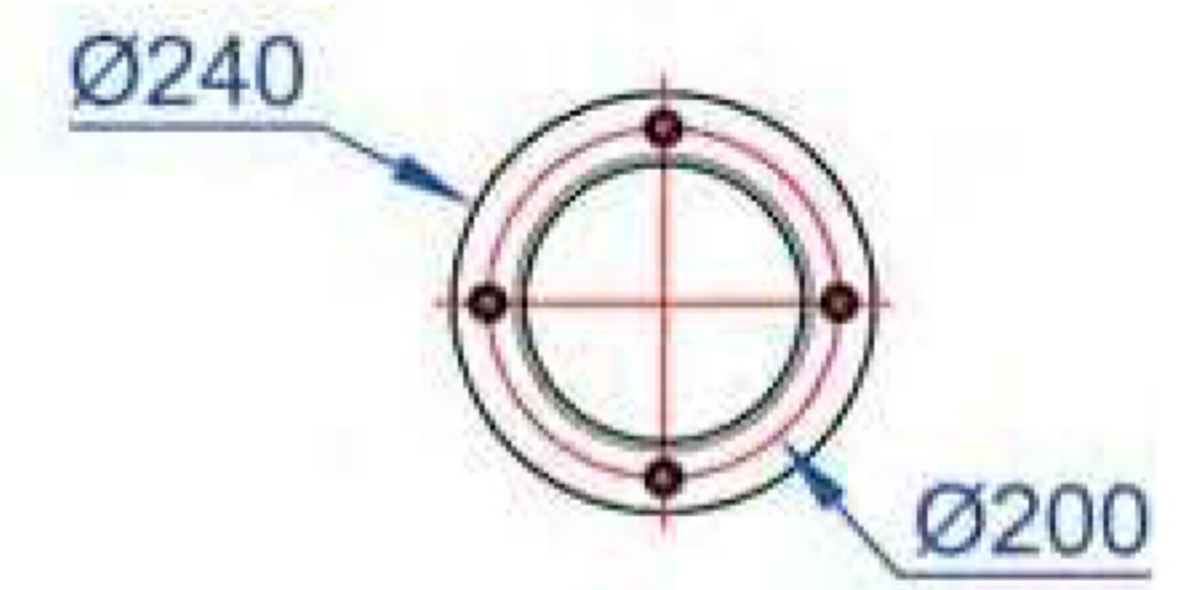
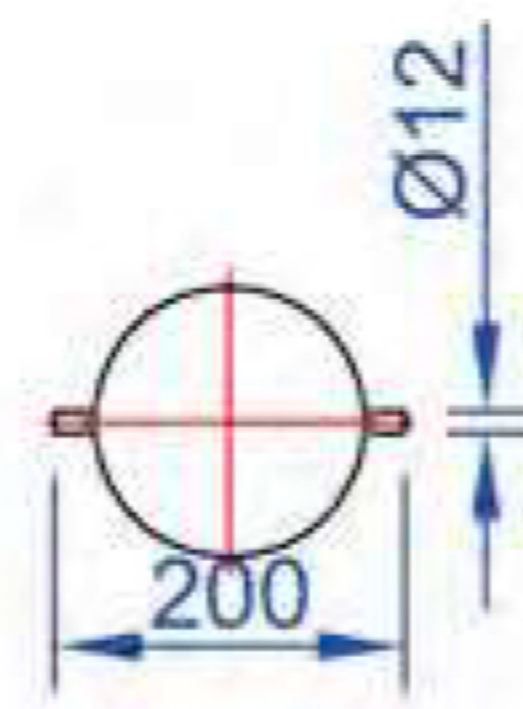
Suggested application:
Dedicated to urban realm.

Material:
Steel, electro-galvanised and painted.

Finish:
Polyester powder coating (choice of Ghm RAL colors).

Weight:
12 kg (version "rooted").
10 kg (version "finished ground").

Delivery:
Monobloc bollard.



- 4** Threaded chemical dowels (not supplied)
- 3** 4 screws FHc M12x25 in stainless steel
- 2** Bollard body "finished ground" (10 kg)
- 1** Bollard body "rooted" (12 kg)

