

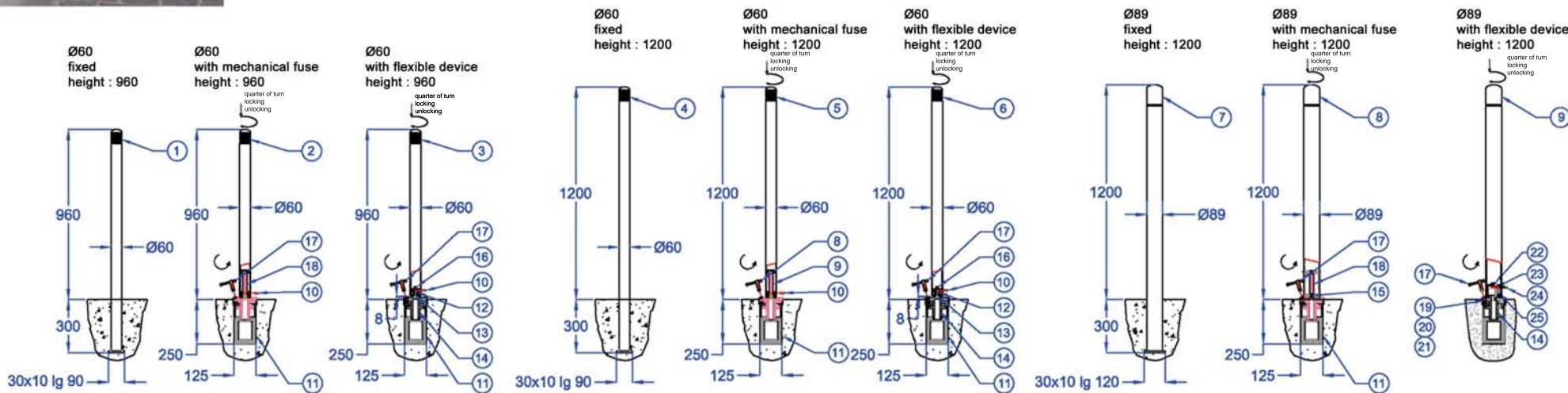


Alizea Post

Aluminium and steel post



alizea line



17	1	Specific tool
18	1	Mechanical fuse
19	1	Screw
20	1	Washer
21	1	Pin
22	1	Screw
23	1	Spécific part
24	1	Screw
25	1	Flexible device

Item	Nb	Description
1 to 9	1	Body
10	2	Screw
11	1	Ground sleeve
12	1	Screw
13	1	Washer
14	1	Ground sleeve mask
15	2	Screw
16	1	Flexible device

bollards and posts